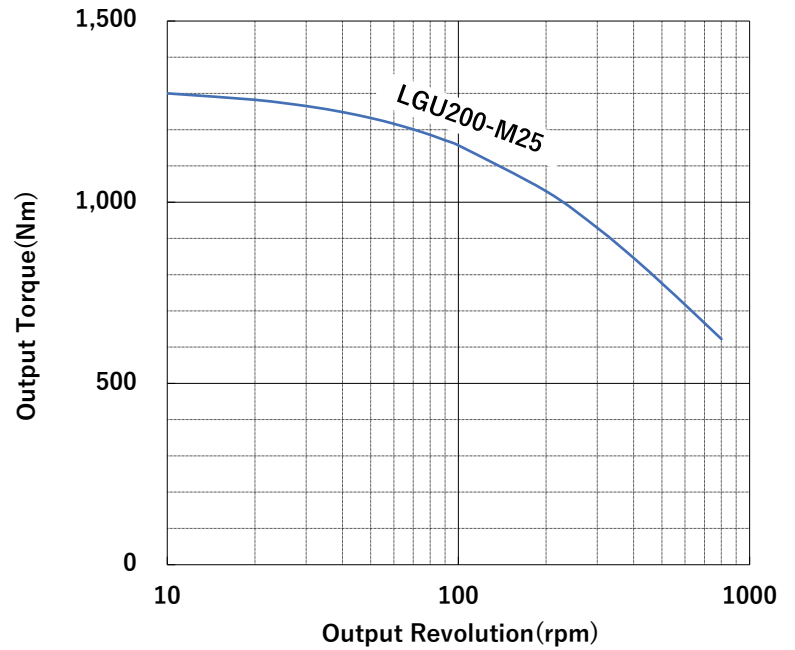


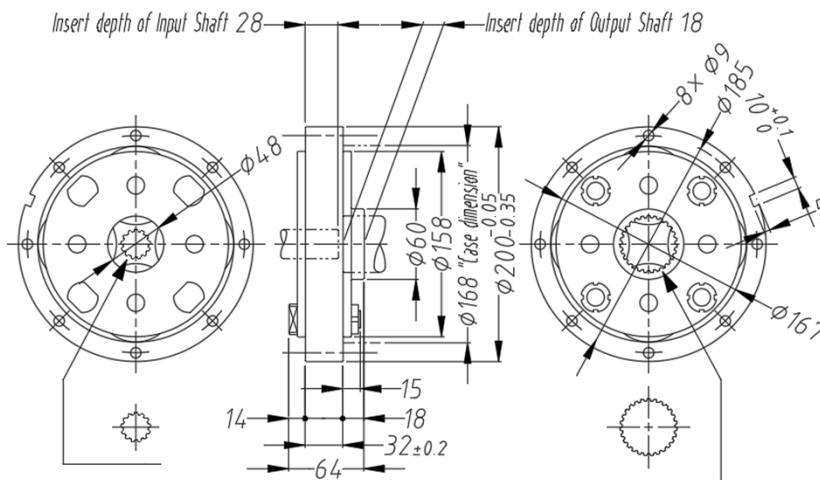


■ OUTPUT TORQUE CURVE



■ DIMENSIONS (mm)

LGU200-MTZ25



Series	Model Name	Actual Speed Ratio	Maximum Output Torque(Nm)	Input Shape	Output Shape	Weight (kg)
LGU200-M25	LGU200-3MTZ25	3	1300	Spline Hole 25×13×1.667	Spline Hole 48.333×27×1.667	7.2
	LGU200-4MTZ25	4.3				7.6
	LGU200-5MTZ25N	5				8.1