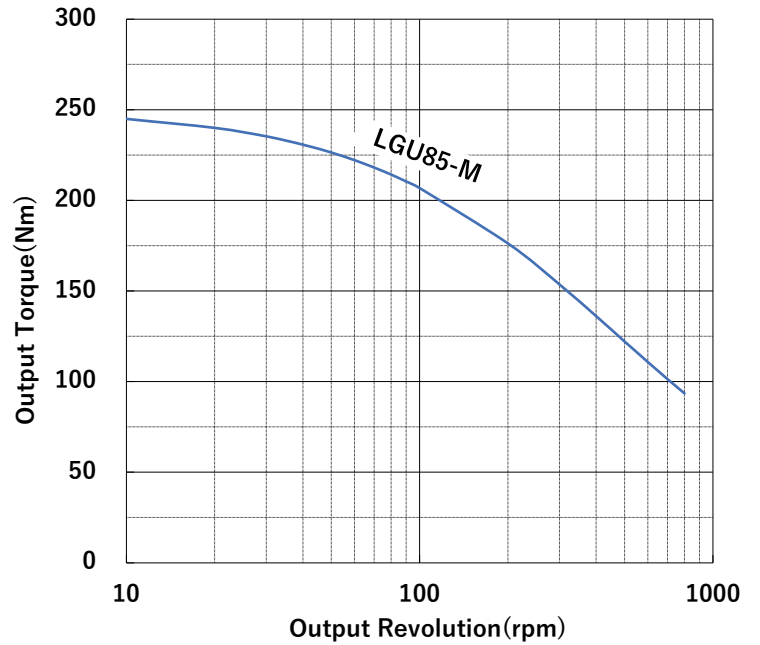


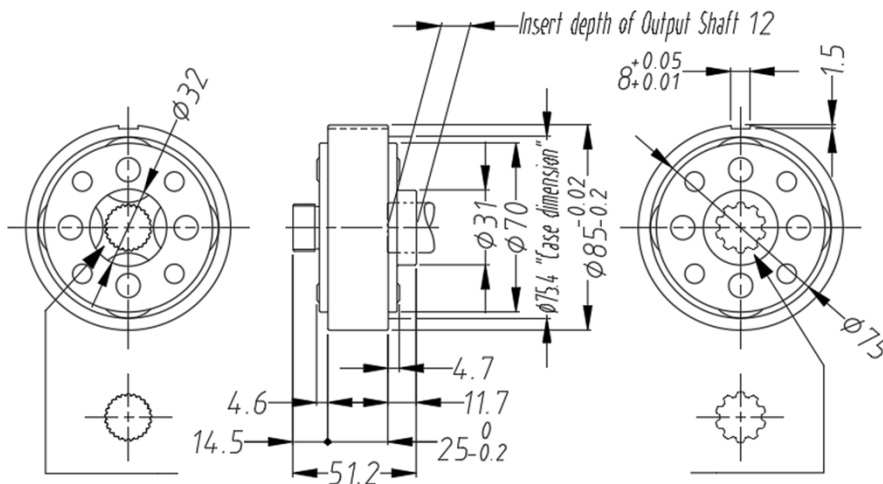


■ OUTPUT TORQUE CURVE



■ DIMENSIONS (mm)

LGU85-MGE



Series	Model Name	Actual Speed Ratio	Maximum Output Torque(Nm)	Input Shape	Output Shape	Weight (kg)
LGU85-M	LGU85-4MGE	4	245	Serration Shaft 19.5×25×0.75	Spline Hole 21×10×1.75	1.0